



KMP Series



Disconnect switch



Feature

- Can be widely applied to various industrial control devices and equipment.
- Can be flexibly applied to various applications with various mounting methods.
- Excellent contact reliability with fast switching speed structure design.
- Long life guaranteed with robust structural design
- Enhanced durability and protection with IP65 rating

Classification



①	Contact ratings	25A	25A 690VAC(3 Poles)
		40A	40A 690VAC(3 Poles)
		63A	63A 690VAC(3 Poles)
②	Mounting	L	Panel mount
		B	Bottom mounting
③	Terminal fixing method	S	Screw
		C	Clamp
④	Number of terminals	None	3 poles
		F	4 poles
⑤	Figure	E	Emergency (Yellow Guard, Red Handle)
		T	Disconnection (White Guard, Black Handle)
		ES4	Emergency (Red Handle, Yellow Locker) (for 48X48 panel)
		TS4	Disconnection (Black Handle, White Locker) (for 48X48 panel)
		ES6	Emergency (Red Handle, Yellow Locker) (for 60X60 panel)
		RS6	Disconnection (Black Handle, White Locker) (for 60X60 panel)
		EP6	Emergency (Red Handle, Yellow Locker) (for 60X60 panel)
TP6	Disconnection (Black Handle, White Locker) (for 60X60 panel)		

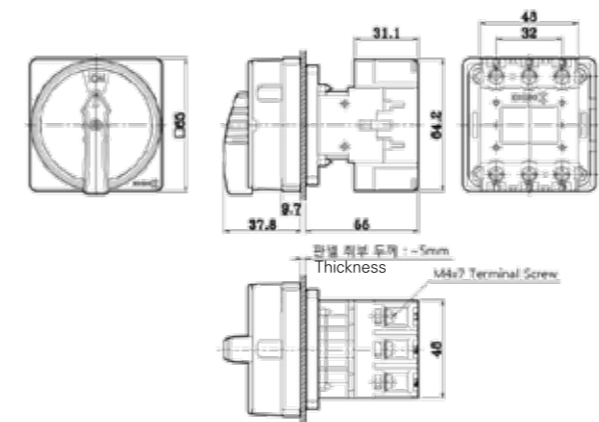
Specification (AC)

	25A	40A	63A
Rated Insulation Voltage (Ui)	690VAC		
Rated Operating Voltage (Ue)	690VAC		
Rated Thermal Current (Ith)	25A	40A	63A
Rated Operating Current (Ie)	AC21A	25A	40A
	AC23A(3X400V)	16A	30A
	AC23(3X400V)	20A	32A
Rated Impulse Withstand Voltage (Uimp)	6KV	6KV	6KV
Pollution Degree	III/3		
Protection Class	IP65		
Operating Ambient Temperature	-25 ~ 60℃		
Operating Ambient Humidity	45 ~ 85% RH(Maximum 90% at 20℃)		
Mechanical Life	200,000+		
Electrical Life	5,000+		

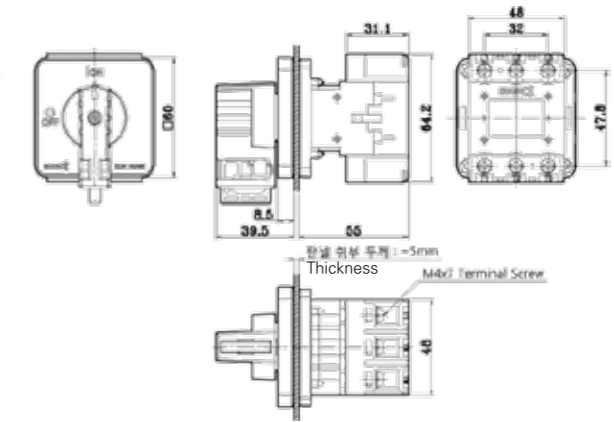
IEC 60947-3, IEC 60947-5-1, VDE0660

Dimension

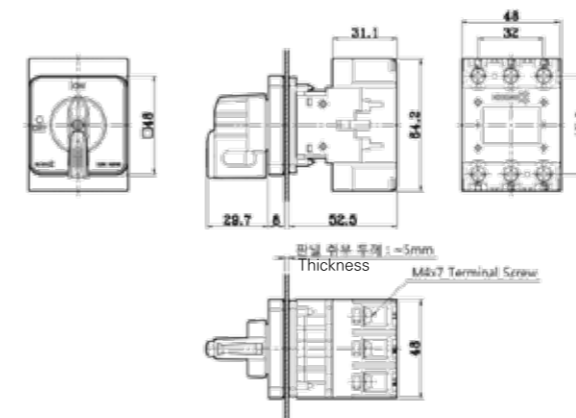
KMP-E/T



KMP-EP6/TP6

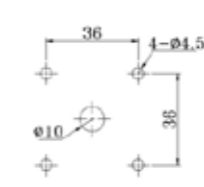


KMP-ES4/TS4



Panel cut size

Panel:ES4/TS4



Panel:E/T, ES6/TS6, EP6/TP6

